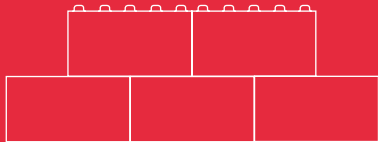


CONCRETE LEGO BLOCKS

SPECIFICATIONS







Concrete Lego Blocks

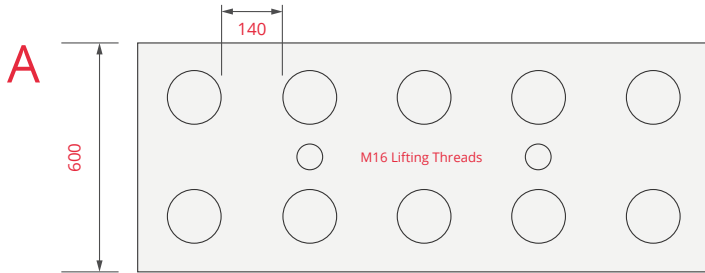
Here at Plymcrete we manufacture concrete Lego blocks. Our Lego blocks are perfect for many applications including material storage bays, recycling bays retaining walls, flood defence, temporary buildings and more.

Our Lego blocks are quick and easy to install and equally easy to remove and re-use again.

The Lego blocks are manufactured with lifting anchors cast into the top of the blocks that accept a screw in lifting eye. The blocks can then be lifted easily and safely by a telehandler, crane or similar suitable machine. The "Lego style" interlocking system ensures they fit together securely.



1270KG Lego Block

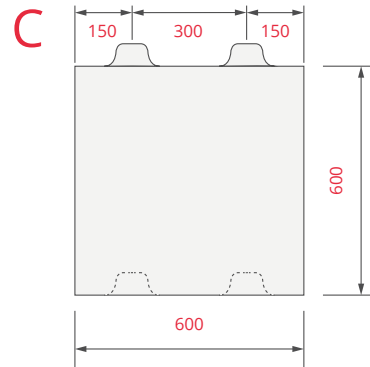
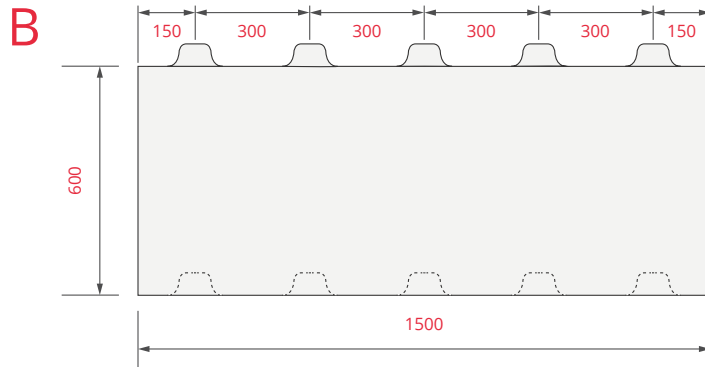


BLOCK VIEWS

A Plan View

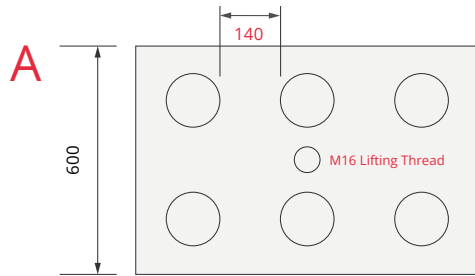
B Front View

C Side View



Length (mm)	Width (mm)	Height (mm)	Unit Weight (KG)
1500	600	600	1270

720KG Lego Block

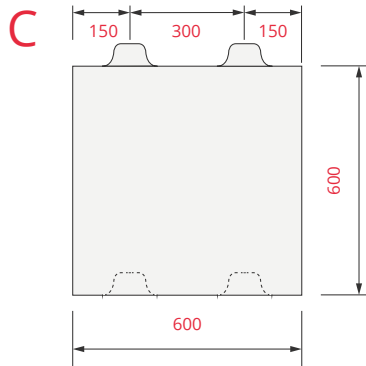
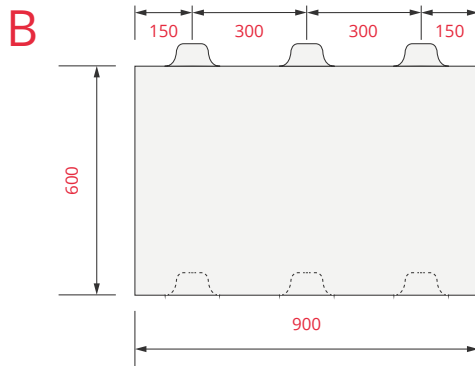


BLOCK VIEWS

A Plan View

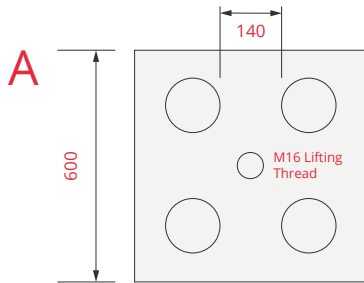
B Front View

C Side View



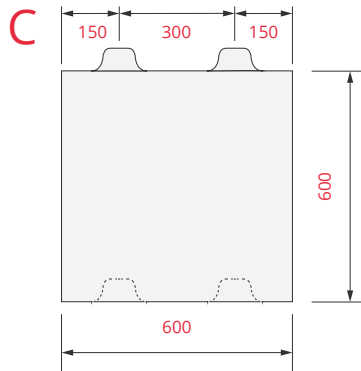
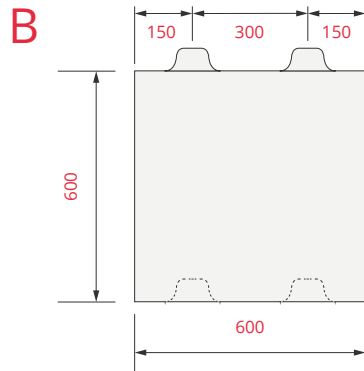
Length (mm)	Width (mm)	Height (mm)	Unit Weight (KG)
900	600	600	720

480KG Lego Block



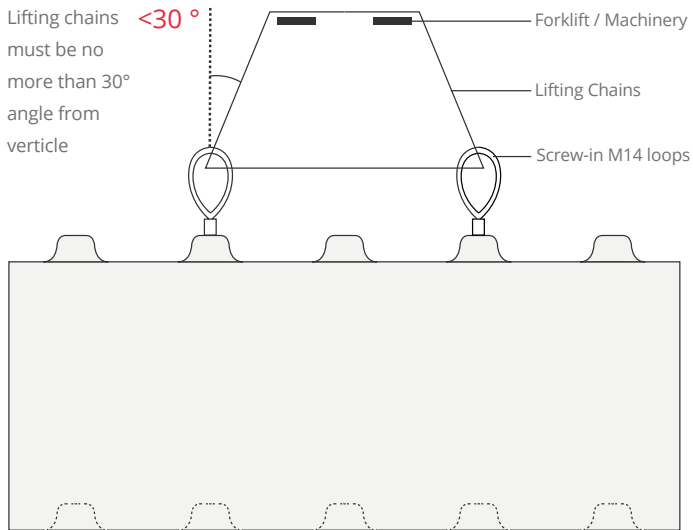
BLOCK VIEWS

- A Plan View
- B Front View
- C Side View



Length (mm)	Width (mm)	Height (mm)	Unit Weight (KG)
600	600	600	480

Handling Instructions



These handling instructions are for guidance purposes only and a full site risk assessment and method statement should be undertaken by the client.

- 1 Unless otherwise agreed your Lego Blocks will arrive on the back of a artic lorry (fl atbed or curtain sider). If you need a fl atbed then please make sure you specify this when confirming the order.
- 2 These lego blocks have a pin anchor lifting system and will be supplied with 2x lifting shackles as shown below.
- 3 You will need chains or straps which have been checked and are capable of lifting a minimum of 2.1t (individual unit weight).
- 4 Ensure the shackles are securely attached before attempting to lift.
- 5 Chains or straps need to be put through the lifting shackles, and then attached to a suitable piece of machinery - generally a forklift or telehandler.
- 6 Please ensure the chains or straps are lifting at 30 degrees from vertical or less.
- 7 AT NO TIME SHOULD ANY PERSON GO UNDER THE BLOCKS WHILE THEY ARE IN THE AIR.
- 8 The blocks should then be carefully lifted off the lorry and into position.



We manufacture our concrete Lego blocks with either plain or decorative stone face.

We can organise nationwide delivery with our local hauliers with a delivery vehicle to suit your access and offload requirements. Or blocks can be bought and collected ex works from our yard in Plymouth.

We can also offer a complete supply and fit service.

Please contact us to discuss our Lego blocks in more detail and the individual requirements for your project.

01752 581495

 **PLYMCRETE**
More than just Concrete