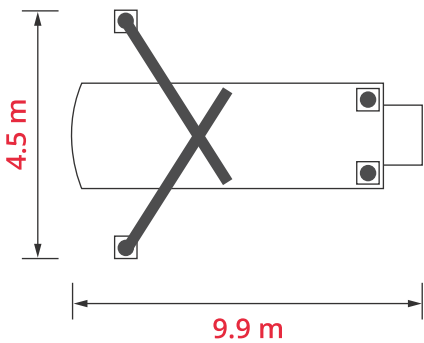
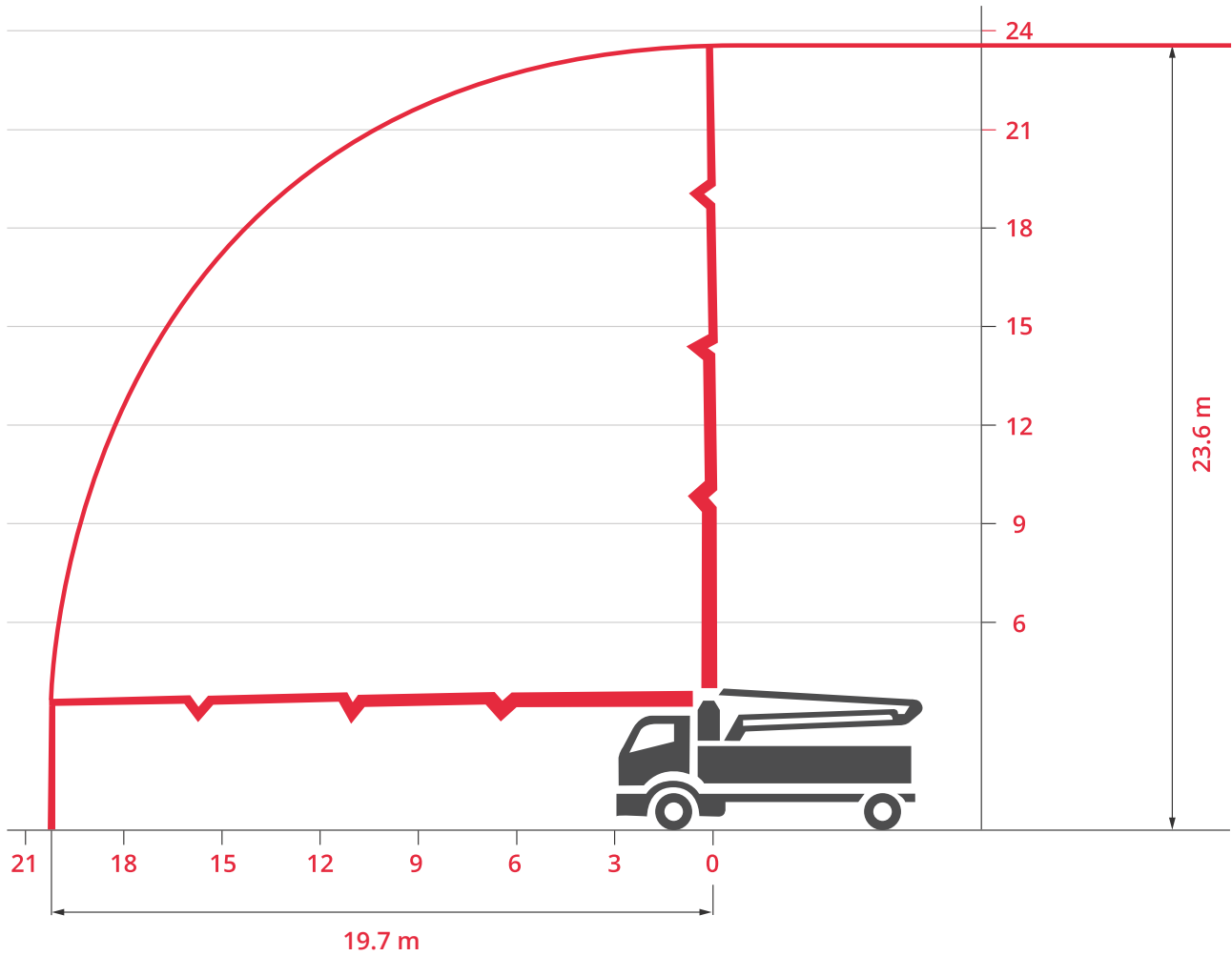


## M24 Mobile Concrete Boom Pump



BOOM	M24
Maximum vertical reach	23.6 m
Maximum gross horizontal reach	19.7 m
Maximum net horizontal reach	17.6 m
Reach depth	14.5 m
Minimum unfolding height	4.9 m
Number of arms	4
Pipeline diameter	125 mm
Pump length	9.9 m
Front outrigger spread	4.5 m
Rear outrigger spread	2.3 m